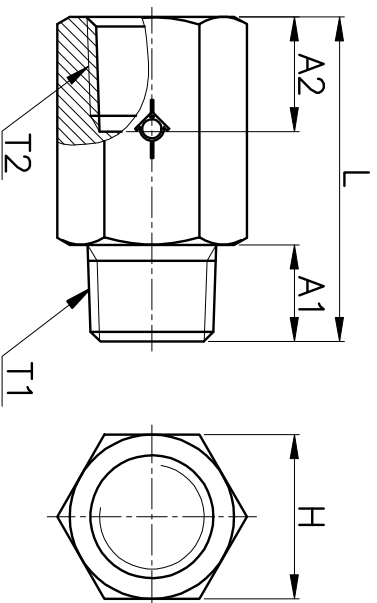


CVPF



MODEL	T1	T2	L	A1	A2	H ^H (Hex)	WEIGHT (g)	BOX(EA)
CVPF 01-01	R 1/8	Rc 1/8	27.6	8.0	8.5	12	16.0	100
CVPF 02-02	R 1/4	Rc 1/4	33.6	10.0	11.0	17	38.0	50
CVPF 03-03	R 3/8	Rc 3/8	53.3	12.0	13.0	22	107.0	25
CVPF 04-04	R 1/2	Rc 1/2	61.5	14.0	15.0	24	131.0	25