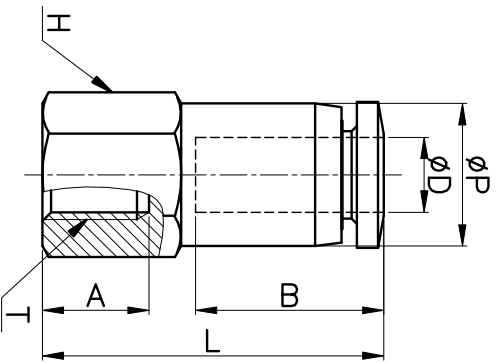
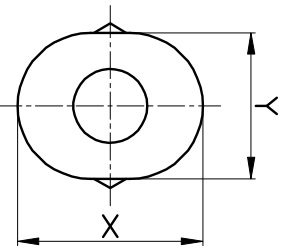


PCF-C



MODEL	ØD	ØP	T	L	A	B	H ^H (Hex)	X	Y	ORIFICE	WEIGHT (g)	BOX(EA)
PCF 03-M3C	3	7.5	M3*0.5p	16.2	4.0	11.2	8	9.2	7.2	2.5	2.0	100
			M5*0.8p	18.7	6.0		8				2.0	100
PCF 03-M6C	4	8.0	M6*1.0p	18.7	6.0	11.7	8	10.4	8.2	3.0	4.0	100
PCF 04-M3C			M3*0.5p	17.7	4.0		8				3.0	100
PCF 04-M5C			M5*0.8p	19.2	6.0		8				4.0	100
PCF 04-M6C			M6*1.0p	19.2	6.0		8				4.0	100
PCF 04-01C			Rc 1/8	22.7	8.5		12				5.0	100
PCF 06-M5C	6	10.0	M5*0.8p	19.7	6.0	12.7	10	12.4	10.2	4.0	5.0	100
PCF 06-M6C			M6*1.0p	19.7	6.0		10				5.0	100
PCF 06-01C			Rc 1/8	23.7	8.5		12				6.0	100