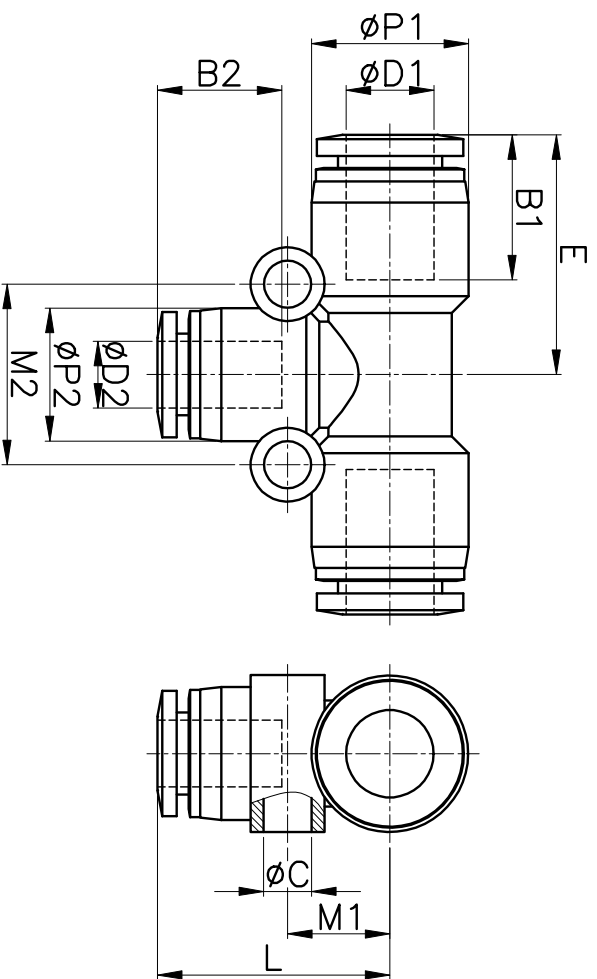


PGT



MODEL	ØD1	ØD2	ØP1	ØP2	L	E	ØC	B1	B2	M1	M2	ORIFICE	WEIGHT (g)	BOX(EA)
PGT 0604	6	4	12.5	10.5	19.0	20.8	3.3	16.4	14.8	7.9	13.8	3.0	9.0	50
PGT 0804	8	4	14.8	10.5	20.0	21.6	4.5	18.3	14.8	9.7	15.0	3.0	11.0	50
PGT 0806	8	6	14.8	12.5	21.9	22.6	4.5	18.3	16.4	9.7	17.0	5.0	12.0	50
PGT 1006	10	6	17.5	12.5	23.1	24.8	4.3	20.2	16.4	10.9	16.8	5.0	16.0	50
PGT 1008	10	8	17.5	14.5	24.8	24.8	4.3	20.2	18.3	10.9	18.8	6.5	16.0	50
PGT 1208	12	8	20.5	14.5	25.8	28.1	4.3	22.9	18.3	12.4	18.8	7.0	23.0	25
PGT 1210	12	10	20.5	17.5	27.4	28.1	4.3	22.9	20.2	12.4	21.9	8.0	25.0	25
PGT 1610	16	10	25.5	17.5	30.1	30.8	5.3	24.1	19.7	15.9	22.8	8.0	41.0	15
PGT 1612	16	12	25.5	20.5	32.6	32.3	5.3	24.1	22.9	15.9	25.8	10.0	45.0	15
PGT 0406	4	6	10.5	12.5	20.3	18.8	4.3	14.8	16.4	7.4	16.8	3.4	6.7	50
PGT 0608	6	8	12.5	14.8	22.7	20.3	4.3	16.4	18.1	8.4	19.1	5.0	9.5	50
PGT 0810	8	10	14.5	17.5	25.4	22.8	4.3	18.4	20.3	9.4	21.4	6.8	13.3	50
PGT 1012	10	12	17.5	20.5	29.2	25.3	4.3	20.3	23.1	10.9	24.8	8.0	20.1	25