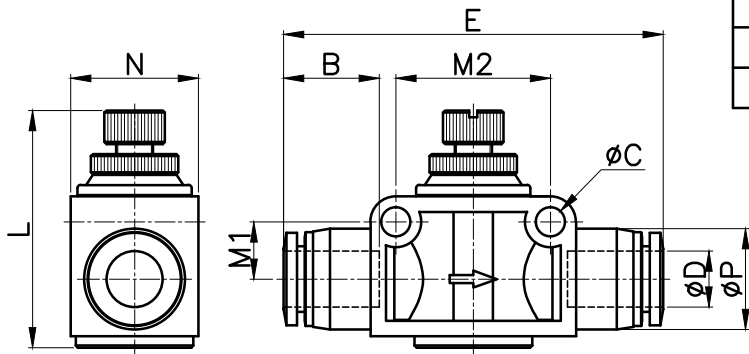


NSF



MODEL	øD	øP	L		E	N	øC	B	M1	M2	WEIGHT (g)	BOX(EA)
			MIN	MAX								
NSF 04	4	11.0	26.4	28.9	42.1	12.0	3.2	14.8	5.4	15.4	13.0	50
NSF 06	6	13.0	33.5	37.9	49.5	16.0	4.3	16.4	7.8	20.4	28.0	50
NSF 08	8	15.0	35.5	41.5	56.7	19.0	4.3	18.3	8.5	23.0	45.0	25
NSF 10	10	17.5	40.7	48.7	63.4	23.0	4.3	20.2	10.6	27.6	84.0	20
NSF 12	12	20.5	45.0	53.5	73.9	26.5	4.4	22.9	11.9	32.4	123.0	15